



Roll Guider PGMW-15

It is easy
installation and
can be used
immediately



Outline

PGMW-15 is a model positioned as a small roll guider of G series.

It applies to a web width of 600 mm or less, and is the optimal as the web meandering correction device of a packaging machine or a hygiene products machine.

It is the roll guider system which united compactly a roll frame and peripheral equipment, such as a sensor and a controller, with the case which contained the actuator.

Feature

- Since a power source is only connected, attachment to a machine is completed for a short time.
- The maintenance-free brushless DC motor was adopted.
The ball screw type micro actuator is built in and it is made to circle in a roll frame powerfully without rattle.
- The revolution torque of a roll frame will be 2.5 or more times as compared with PG-100 of the conventional gear type.
- The roll frame is low backlash (1/10 or less of the conventional machine), and since it is supported three points in a pivot axis and two cam followers, it is high rigidity roll frame.
- Infrared edge sensor (PSM-75 series) and Ultrasonic edge sensor (PSM-46 series) can be chosen according to a use. Moreover, centering control is possible by using two sets of PSM-75 series.



Technical data

		Short Type	Long Type							
Power Source		DC24V ± 20% Please connect with the terminal of an attached cable (5 m). (24V : 「+」, 0V : 「-」, Grounding 「FG」)								
Consumption Current		0.6A (Power Supply Voltage DC 24V)								
Built-In Equipment	Controller	PEM-200								
	Sensor	Please specify the kind and the number of a sensor. · PSM-46, 46W (A maximum of one set , Edge control) · PSM-75, 75W (A maximum of two sets , Edge or centering control) When using PSM-75W in an environment with many particulates, the dust blow unit which prevents particulate adhesion on a lens is prepared. (Form : PSM-75W-DB) When a dust blow unit is used , Air pressure : 0.2 ~ 0.5MPa, Dry air , The maximum amount of consumption 20NI/min. Please prepare.								
Application	Roll Length (mm)	150 ~ 650				200 ~ 650				
	Roll Diameter (mm)	φ 46 , φ 78 In addition, please ask about special specification.								
	Roll Material	· Aluminum roll (Alumite treatment No / Yes) · Rubber roll (NBR White) · CFRP (Rubber cork winding No / Yes) In addition, please ask about special specification.								
	Roll Span (mm)	150	175	200	225	250	275	300	400	
	Stroke of Correction (mm) ※ 1	±17	±19	±22	±25	±16	±18	±20	±27	
	Correction Speed (mm/sec)	20	22	25	28	14	15	17	23	
	Web Tension (N) ※ 2	200 (Web Width:250mm)				260 (Web Width:430mm)				
Web Speed(m/min)	max300									
Installation Environment		Temperature : 0 ~ 40 °C , Humidity : 80%Rh or less (No condensation)								
Mass (A roll frame is excluded.)		4.0kg								
Others		<p>< About the localization method of a roll frame ></p> <ul style="list-style-type: none"> · A center position is set up by proximity switch. The stroke end position sets it with an electronic counter type. (It sets up by a controller.) It moves to a center automatically at the time of power source supplying. (Standards) · The proximity switch for a stroke end detection can be added as an option. <p>< About the position of an operation panel and a connector panel ></p> <ul style="list-style-type: none"> · There are an operation panel and a connector panel in the right-and-left side of a case. · By the direction of a flow of a web, it carries out in the regular direction and ships. (Right flow) The left end side becomes an operation panel, seeing the exit side roll at the front. (Left flow) The right end side becomes an operation panel, seeing the exit side roll at the front. 								

※ 1. It is the value calculated from the swing angle of the roll frame. (Short type : ± 7° , Long type : ± 4°)

※ 2. Tension is proportional to web width.

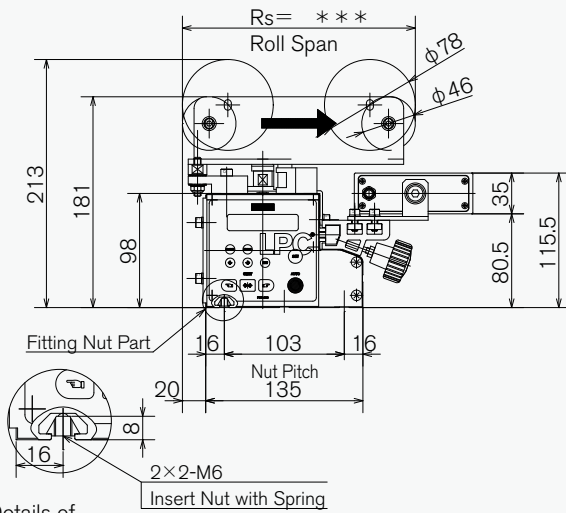


Outline Drawing

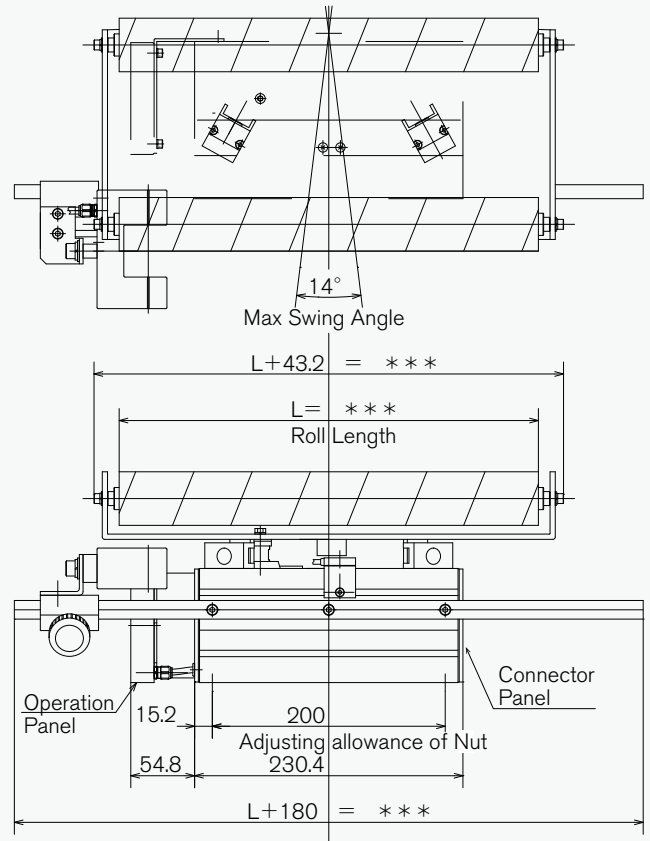
● Short Type

Application of Roll-Frame

		Roll Length L (mm)							
		150	200	250	300	360	480	550	650
Span Rs (mm)	150								
	175								
	200								
	225								



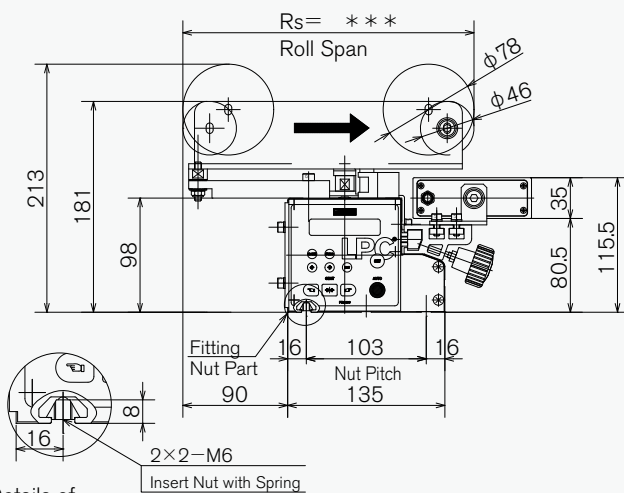
Details of Fitting Nut



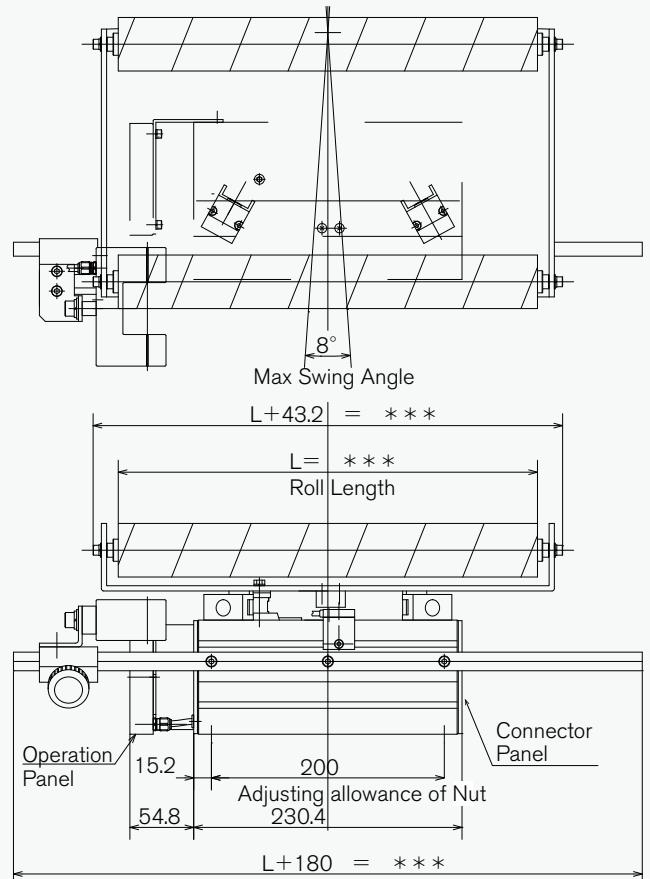
● Long Type

Application of Roll-Frame

		Roll Length L (mm)						
		200	250	300	360	480	550	650
Span Rs (mm)	250							
	275							
	300							
	400							



Details of Fitting Nut



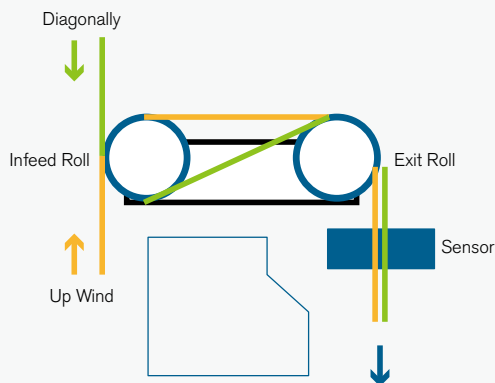


Pass Line

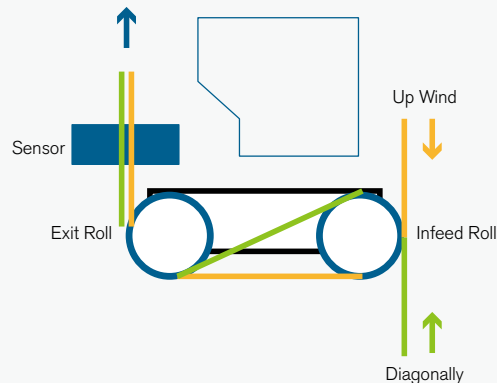
Since a sensor position is limited below an exit roll, the pass line of a web will be two kinds, up wind and diagonally.

However, in less than 175 mm of roll span, it becomes only for diagonally.

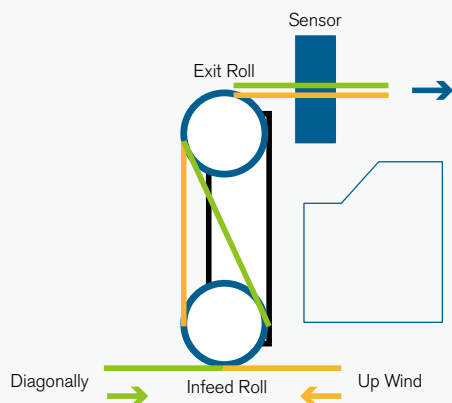
① Horizontal Layout



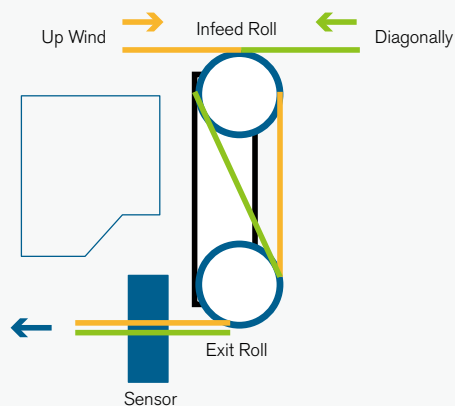
② Reverse Layout



③ Vertical Layout



④ Vertical Layout



MITSUHASHI CORPORATION

Lending “hands” to replace human hands.

www.mitsubishi-corp.co.jp

株式会社 三橋製作所 MITSUHASHI CORPORATION

- Head Office/ Factory
 1 Sekizan-cho Yamanouchi Ukyo-ku Kyoto
615-0082 Japan
TEL:+81-75-316-3300 FAX:+81-75-313-7595
- Tokyo Office/ Overseas Sales Division
 Yoshikuni Komagata Bldg. 9F 2-4-11 Komagata
Taitoh-ku Tokyo 111-0043 Japan
TEL:+81-3-3847-9751 FAX:+81-3-3847-9753
- Kyushu Office
 Minamikindai Building 6F, 4-2-10 Hakataekiminami
Hakata-ku Fukuoka 812-0016 Japan
TEL:+81-92-476-3800 FAX:+81-92-476-3801