

CD-870 CARD DISPENSER

A variety of workpieces can be dispensed as well as cards.



Features

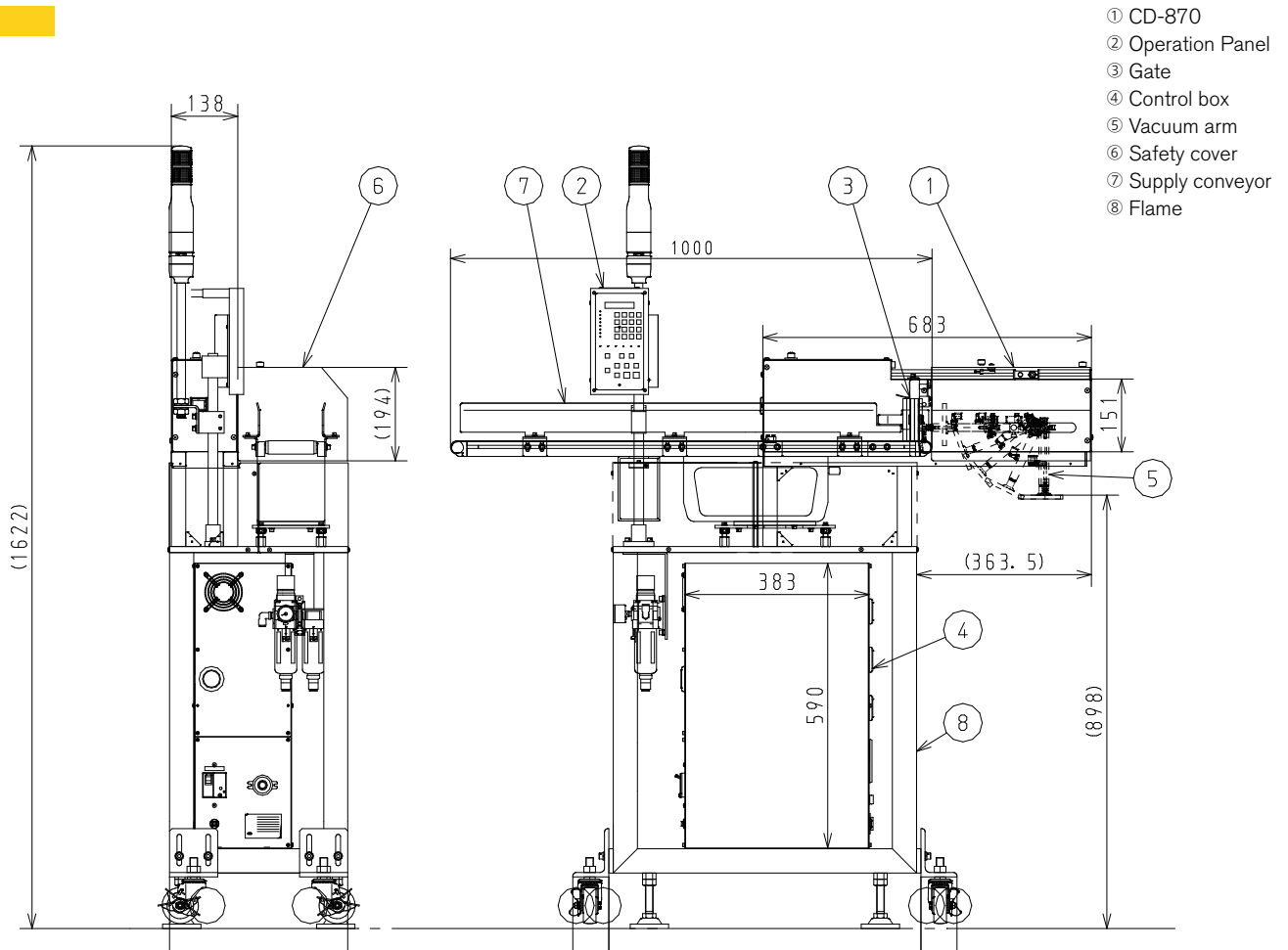
- Designed to pick & dispense cardboard, tray, lid, and flat sachet.
- Automatic dispensing at synchronized line speed by receiving signals from equipment such as packing machine.
- Patent registered cam-rack adopted for drive mechanism achieved compact & smooth movement.
- Ultra slim and compact body.

仕様

Capacity	Max. 120pcs/minute
Workpiece	Width :30 ~ 100mm Length :30 ~ 100mm
Power	3φ AC200V 50/60Hz 1.0kVA
Air supply	0.5Mpa 110 ℓ/min (ANR) dry air
Machine weight	Approx.100kg

- ※ 1. Excluding conveyor, frame and safety cover
- ※ 2. Conveyor, frame, and safety cover are designed according to workpiece size and stock quantity.
- ※ 3. Delivery time will be required for made-to-order product.

概略図



Lending “hands” to replace human hands.

<https://www.mitsubishi-corp.co.jp>

株式会社 三橋製作所

MITSUHASHI CORPORATION

□ Head Office/
Factory

1 Sekizan-cho Yamanouchi Ukyo-ku Kyoto
615-0082 Japan
TEL:+81-75-316-3300 FAX:+81-75-313-7595

□ Tokyo Office/
Overseas Sales Division

Yoshikuni Komagata Bldg. 9F 2-4-11 Komagata
Taitoh-ku Tokyo 111-0043 Japan
TEL:+81-3-3847-9751 FAX:+81-3-3847-9753

□ Kyushu Office

Minamikindai Building 6F, 4-2-10 Hakataekiminami
Hakata-ku Fukuoka 812-0016 Japan
TEL:+81-92-476-3800 FAX:+81-92-476-3801