



# SMH ALLOTTING MACHINE

*HIGH SPEED  
MULTIPLE ROWS  
ALLOTTMENT*



**Patent Pending: 4887401**

## General

This system is designed to distribute & dispense individual powder and/or liquid sachets into multiple numbers of containers in one shot. The system is to be used together with our Pouch Dispenser KD-4010.

## Features

- Speed increased up to 1.5 times compared to our previous model
- Continuous conveying system adopted to stabilize dispensing accuracy into the attachment, and KD-4010 is used to stabilize cutting capability
- Compact design. One (1) set covers multiple numbers of equipments required for the process

## Basic Specs

Below indication is based on combination using our KD-4010 Pouch Dispenser. Various sachet types or line speed may be achieved by selecting different Pouch Dispensers.

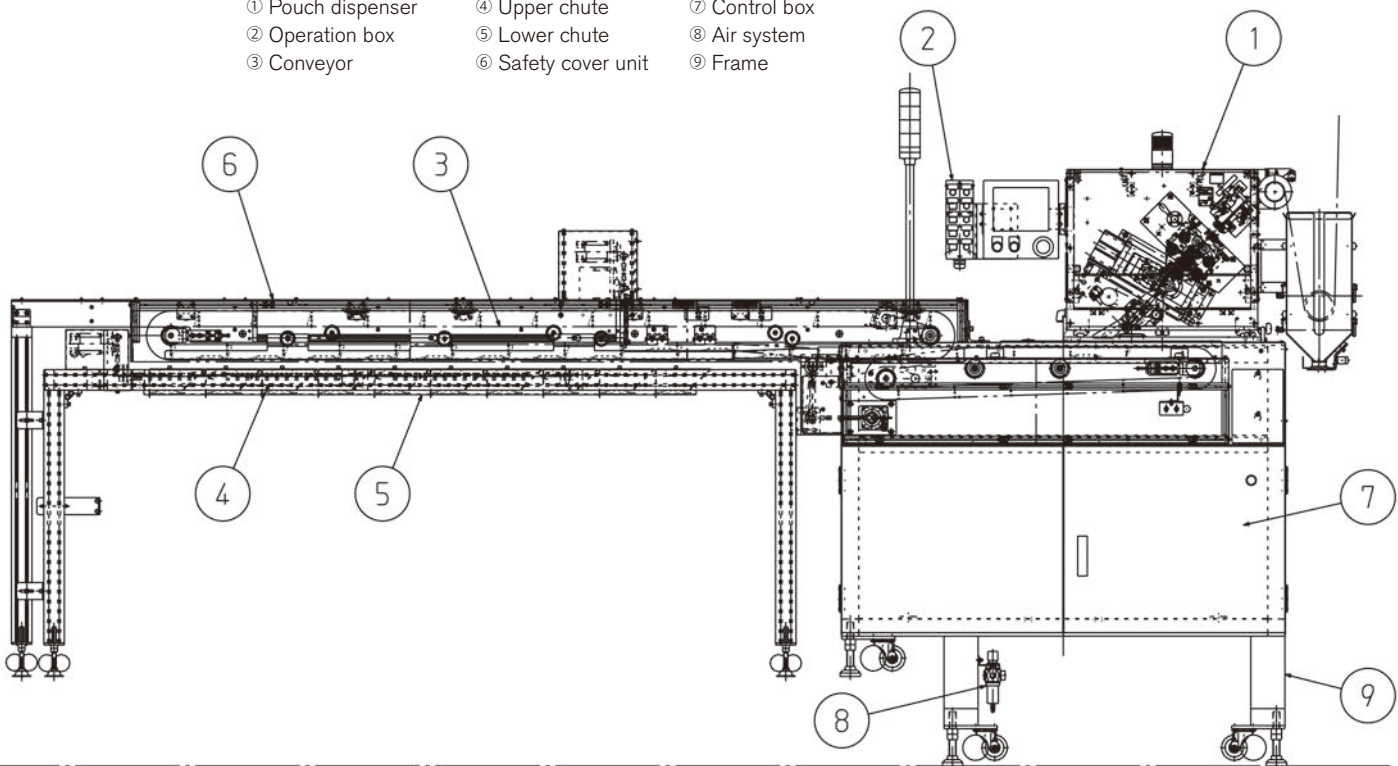
Dispense Capacity	Max. 27 shots / minute (10 rows) * Note 1	* Note 1
Card Size	Width: 40 – 100mm Length: 70 – 100mm Thickness: Max. 20mm	
Power	AC200/220V, 50/60Hz, 3 Phase, 6kVA	* Note 2
Air Utility	0.5MPa 20 ℓ /min. (ANR) * Dry air	
Weight	Approx. 420kg (including pouch dispenser)	

\* Note 1: Capacity is determined by sachet size, container pitch, row quantity

\* Note 2: Required utilities and net weight is subject to change based on optional functions

## Overview

- ① Pouch dispenser
- ② Operation box
- ③ Conveyor
- ④ Upper chute
- ⑤ Lower chute
- ⑥ Safety cover unit
- ⑦ Control box
- ⑧ Air system
- ⑨ Frame



Lending “hands” to replace human hands.

[www.mitsubishi-corp.co.jp](http://www.mitsubishi-corp.co.jp)

株式会社 三橋製作所

**MITSUHASHI CORPORATION**

Head Office/  
Factory

1 Sekizan-cho Yamanouchi Ukyo-ku Kyoto  
615-0082 Japan  
TEL:+81-75-316-3300 FAX:+81-75-313-7595

Tokyo Office/  
Overseas Sales Division

Yoshikuni Komagata Bldg. 9F 2-4-11 Komagata  
Taitoh-ku Tokyo 111-0043 Japan  
TEL:+81-3-3847-9751 FAX:+81-3-3847-9753

Kyushu Office

Minamikindai Building 6F, 4-2-10 Hakataekiminami  
Hakata-ku Fukuoka 812-0016 Japan  
TEL:+81-92-476-3800 FAX:+81-92-476-3801