

KE-1010X POUCH LOADER

Chain Sachet High Speed Folding & Casing



Features

- High speed casing at **Max. 40 meters / minute**
- Easy operation by clear view **5.7" color touch panel**
- **30 types memory-bank** corresponds to wide product types
- Upgraded from previous model KE-1000V;
 - Pitch feed unit operation noise reduced (avg. -13.5db)
 - Lower equipment height (-80mm)
 - Applicable case (carton) size enlarged (D: 350mm → 400mm, H: 310mm → 400mm)
- Various options
 - Pull-Up Roller for heavy work materials
 - Push Unit for more uniformed casing
 - Cutter Unit & Case Changer for upgraded automation

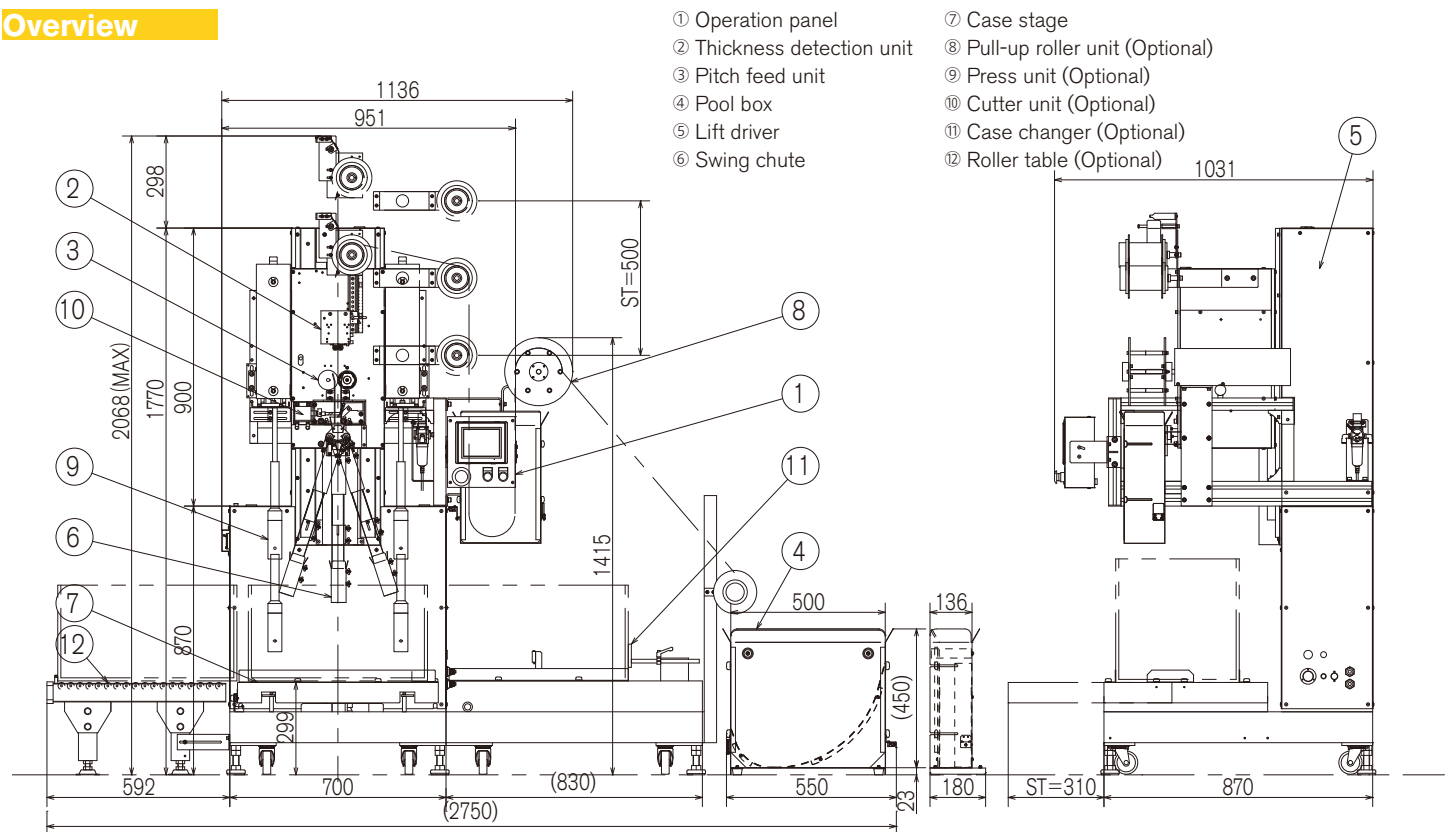
Basic Specs

Casing Capacity	Max. 40 meters / minute * Note 1
Work Material Size	Sachet type: 3 seam / 4 seam Sachet width: 50 – 90mm (30 – 100mm available by changing swing chute) Sachet length: 30 – 120mm Thickness: Max. 20mm
Case Dimension	Length: 380 – 580mm (O.D.) Width: 200 - 400mm (O.D.) Height: 100 - 400mm (O.D.)
Air Utility	0.5MPa 40 ℓ /min. (ANR) * Note 2
Power	AC200/220V, 50/60Hz, 3 Phase, 2.5kVA
Weight	Approx. 350kg * Note 2

* Note 1: Indicated capacity based on length over 560mm per fold, and without press unit.
Case changing time is not included. Capacity is subject to differ according to condition

* Note 2: Including all optional units / parts.

Overview



Lending “hands” to replace human hands.

www.mitsubishi-corp.co.jp

株式会社 三橋製作所

MITSUHASHI CORPORATION

Head Office/
Factory

1 Sekizan-cho Yamanouchi Ukyo-ku Kyoto
615-0082 Japan
TEL:+81-75-316-3300 FAX:+81-75-313-7595

Tokyo Office/
Overseas Sales Division

Yoshikuni Komagata Bldg. 9F 2-4-11 Komagata
Taitoh-ku Tokyo 111-0043 Japan
TEL:+81-3-3847-9751 FAX:+81-3-3847-9753

Kyushu Office

Minamikindai Building 6F, 4-2-10 Hakataekiminami
Hakata-ku Fukuoka 812-0016 Japan
TEL:+81-92-476-3800 FAX:+81-92-476-3801