

Non Contact pitch measurement unit PU-3

POUCH DETECTOR PU-3

Easy operation!



Simple maintenance!
Easy review display!

Ex.) PU-3 mounted on KD-820

Feature

Non-contact pitch measurement unit PU-3 is mounted on the pouch dispenser such as 'KD-820'. PU-3 is designed to insure pitch measure on easy operation, compared to our traditional roll type thickness detect unit.

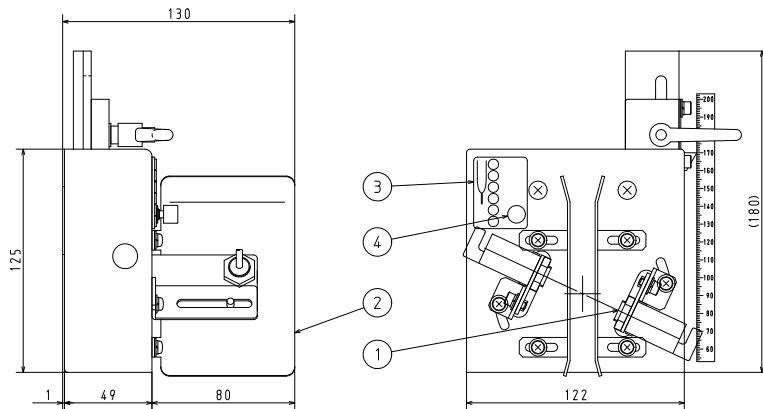
- Stable detect with any type of pouches, regardless of pouch contents (Powder, Liquid, Solid, etc.) and pouch materials (Vinyl, PET Aluminum, etc.)
- One-touch simple operation, change products quickly.
- The display is easily viewable and the detecting level is quite obvious by LED.

Basic

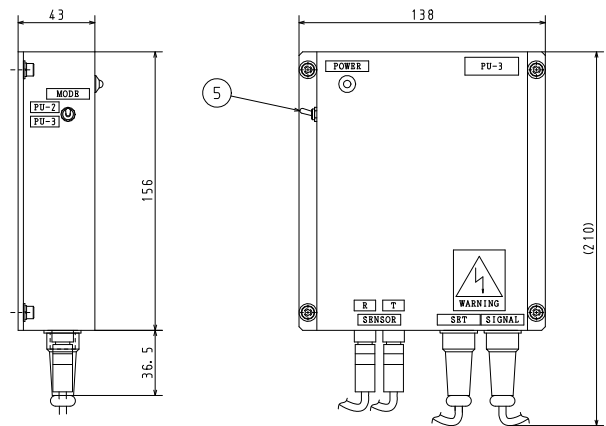
Composition	Detection parts, amplifier parts, cables
Capacity	500 pcs/min
Surface	Stainless
Output Signal	NPN open collector output 30V 10mA
Power supply	DC24V/DC12V 4W
Environment	Temperature : 0 ~ 40°C Humidity : Less than 80% RH
Applicable models	KD、KE、KS、FW series

Overview

【 Detection parts 】



【 Amplifier parts 】



- ① Detection sensor
- ② Guide plate
- ③ Detection LED
- ④ Set switch
- ⑤ Mode selecting switch



Lending “hands” to replace human hands.

<https://www.mitsubishi-corp.co.jp/en/>

株式会社 三橋製作所

MITSUHASHI CORPORATION

□ Head Office/
Factory

1 Sekizan-cho Yamanouchi Ukyo-ku Kyoto
615-0082 Japan
TEL:+81-75-316-3300 FAX:+81-75-313-7595

□ Tokyo Office/
Overseas Sales Division

Yoshikuni Komagata Bldg. 9F 2-4-11 Komagata
Taitoh-ku Tokyo 111-0043 Japan
TEL:+81-3-3847-9751 FAX:+81-3-3847-9753

□ Kyushu Office

Room 3 Bldg. D Office Parea Naka II 1-5-3 Naka
Onojo City Fukuoka 816-0906 Japan
TEL:+81-92-476-3800 FAX:+81-92-476-3801