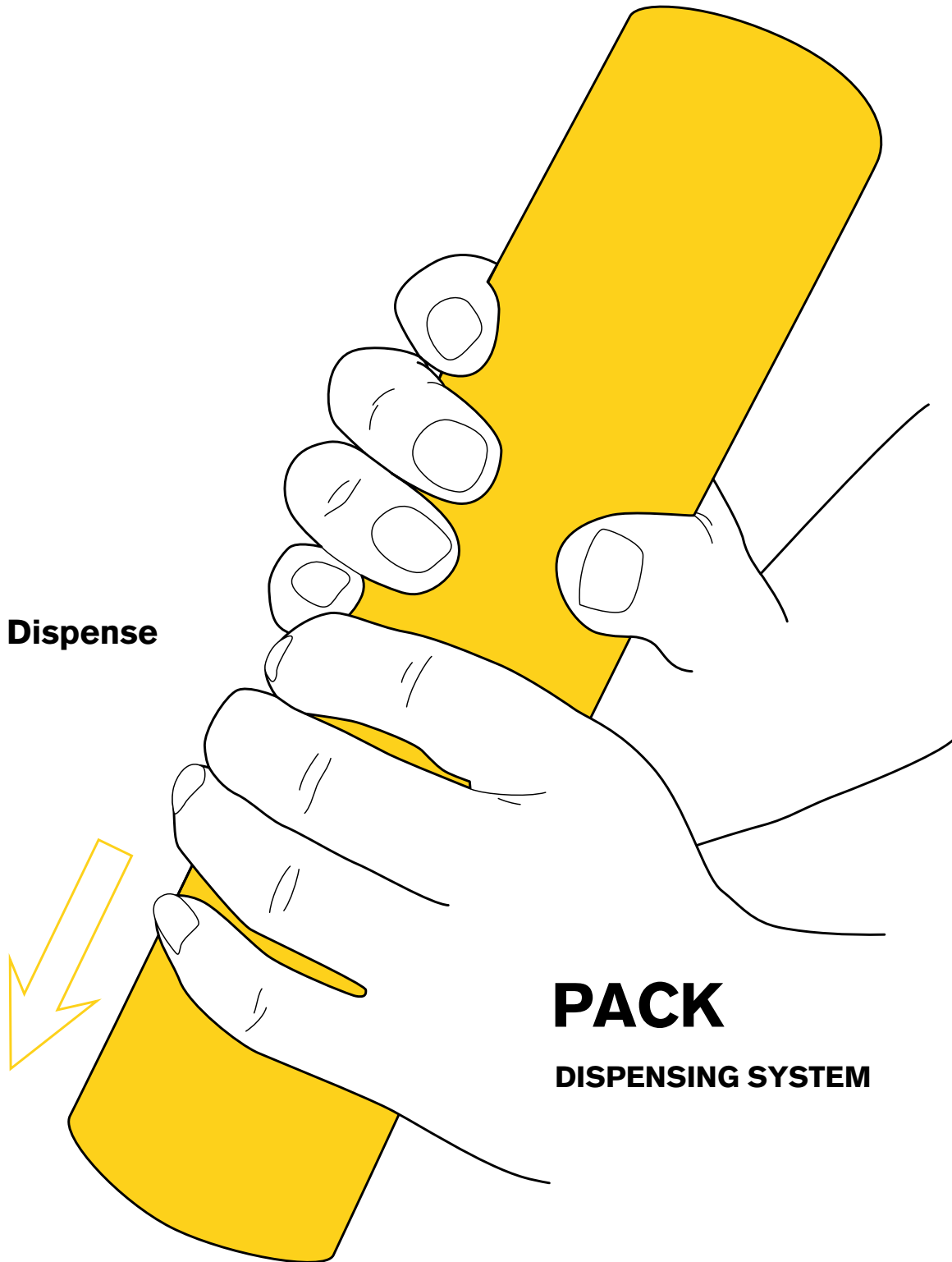


Dispense



PACK
DISPENSING SYSTEM



PACK DISPENSING SYSTEM

Trusted 「Dispense」 partner for the best of pouch/card handling process

Achieving a unit environment with quick and precise operations

Since commercializing our Pouch Dispensing System (SDM Series) and moving into the food industry in 1971, we have been developing the pouch supply system to be faster, more streamlined, automated and more energy efficient. In the previous process of pouch supply, it was based on loading continuous pouches using Pouch Loader or winding continuous pouches using pouch winder. By using the pouch dispenser for the processed continuous pouches in the pouch supply process, we are contributing towards a more hygienic, efficient and automated production line.

POUCH DISPENSER KD Series

- KD-820
- KD-920
- KD-1020
- KD-4010



KD-820

Fast and precise pouch dispensing

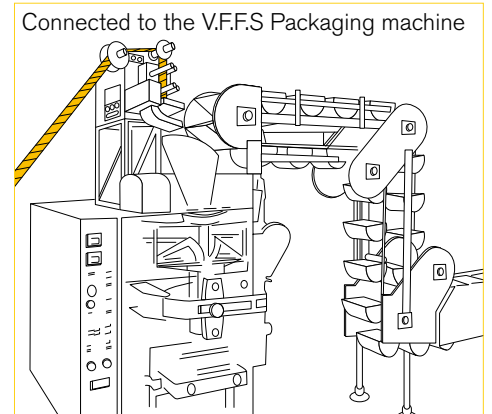
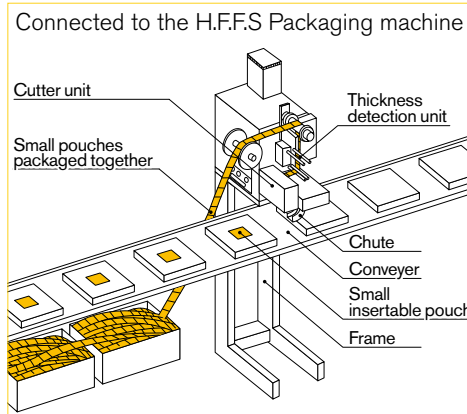
The pouch dispenser is designed to cut continuous pouches (sachets) into singles in fixed size and deliver it to right position of packaging machine.

There are enriched options that can be chosen for different products:

- Fix position dispensing unit deliver pouch to same position eventhe wrapping machine speed is changed.
- Feed unit makes the heavy pouch dispensing available,
- Vibrator unit makes the light and fine particle pouch's length detecting more precise.

< Object products >

Desiccant	Cofectionery/ seaweed/ delicacies/ food in general	V.F.F.S Packaging machine
Soup/ spice	Instant noodle	H.F.F.S Packaging machine
Syrup	Cofectionery	
Sauce/ mustard	Food in general	Cartoning machine
Spoon/ Fork		



POUCH CUTTER KS Series

- KS-810
- KS-5000

Fast and precise pouch cutting

The Pouch Cutter is designed for notches and cuts the chain pouches (sachets) into singles in fix size. Perforation is an option available to be selected.

It can also be connected to the Pouch stocker for pouch alignment and loading system.



KS-810

POUCH LOADER KE Series

· KE-1010X · KE-891
· KE-354

Fast and precise pouch Loading

Pouch Loader is designed to load the continuous pouches (sachets) in desirable numbers into carton box after receiving 3-side or 4-side seal pouches from packaging machine.

Using this loader in combination with Pouch Dispenser, the Pouch Feeding operation can save man power greatly.

We also produce Special Pouch Loader for multiple tracks packaging machine.

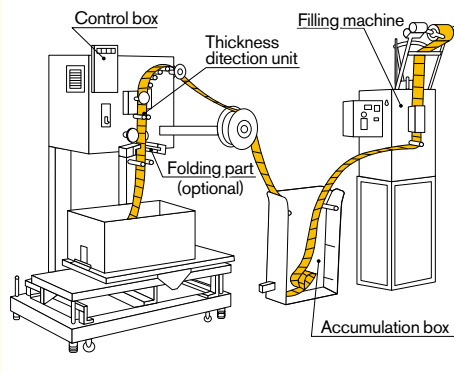


KE-1010X

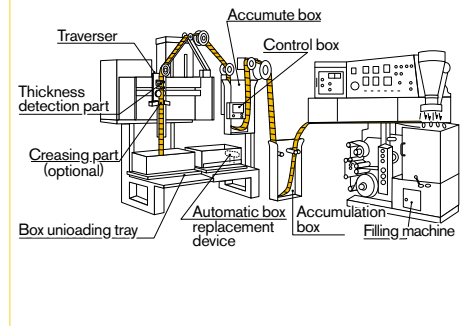
< Connected machinery >

Desiccant	High speed 3-side seal filling machine
Soup/ spice/ liquid	High speed 3-side seal filling machine for liquid
	3side seal filling machine
Syrup/ suger	4side seal filling machine

Connected to the 3 side seal filling machine



Connected to the High speed 3 side seal filling machine



POUCH WINDER FW Series

· FW-1000
· FW-2000

Fast and precise pouch Winding

Pouch Winder is designed to wind the continuous pouches (sachets) in desirable numbers to a roll form after receiving 3-side or 4-side seal pouches from packaging machine.

Using this loader in combination with Pouch Dispenser, the Pouch Feeding operation can save man power greatly.

We also produce Special Pouch Loader for multiple tracks packaging machine.

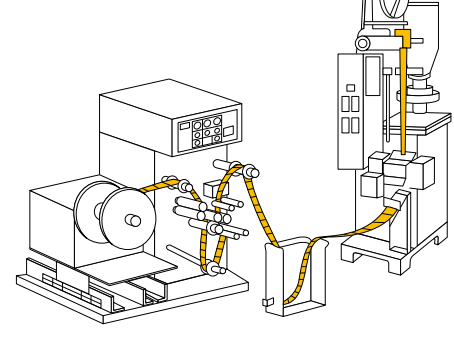


FW-1000

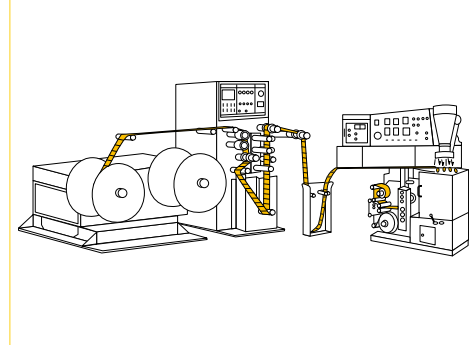
< Connected machinery >

Desiccant	High speed 3-side seal filling machine
Soup/ spice/ liquid	High speed 3-side seal filling machine for liquid
	3side seal filling machine
Syrup/ suger	4side seal filling machine

Connected to the 3 side seal filling machine



Connected to the High speed 3 side seal filling machine



PACK DISPENSING SYSTEM

POUCH STOCKER CS Series



CS-150W

· CS-150W

Fast and precise pouch **Stocking**

Pouch stoker is designed to connect the packing machine to deliver the single or multiple cut pouches (sachets) to a set-position, drops the pouches horizontally, aligns and loads them in to a box.

- The set-position insertion unit uses a rotating shutter with AC servomotor which makes it have **low acoustic noise and high speed stocking.**
- Stocking figures are configured at the counter, after counting up, new box can be supplied automatically, which makes it **easy to operate.**
- Safety covers are mounted for the pouch insertion unit, making its working **safer.**
- Machine space designed effectively makes it **more compact.**

CARD DISPENSER CD Series



CD-820

· CD-820
· CD-870
· CD-920

Fast and precise pouch **Dispensing**

Card dispenser is designed to insert all varieties of card, seal, board, tray, lids etc in set positions on the conveyor line. Our unique CAM RACK (patent) used as the driving mechanism, makes the operation more stable and smoother.

It is an easy to use, compact CARD DISPENSER designed with the aim of a smaller and lighter product.



Lending “hands” to replace
human hands.

www.mitsubishi-corp.co.jp

株式会社 三橋製作所

MITSUHASHI CORPORATION

□ Head Office/
Factory

1 Sekizan-cho Yamanouchi Ukyo-ku Kyoto
615-0082 Japan
TEL:+81-75-316-3300 FAX:+81-75-313-7595

□ Tokyo Office/
Overseas Sales Division

Yoshikuni Komagata Bldg. 9F 2-4-11 Komagata
Taitoh-ku Tokyo 111-0043 Japan
TEL:+81-3-3847-9751 FAX:+81-3-3847-9753

□ Kyushu Office

Minamikindai Building 6F, 4-2-10 Hakataekiminami
Hakata-ku Fukuoka 812-0016 Japan
TEL:+81-92-476-3800 FAX:+81-92-476-3801