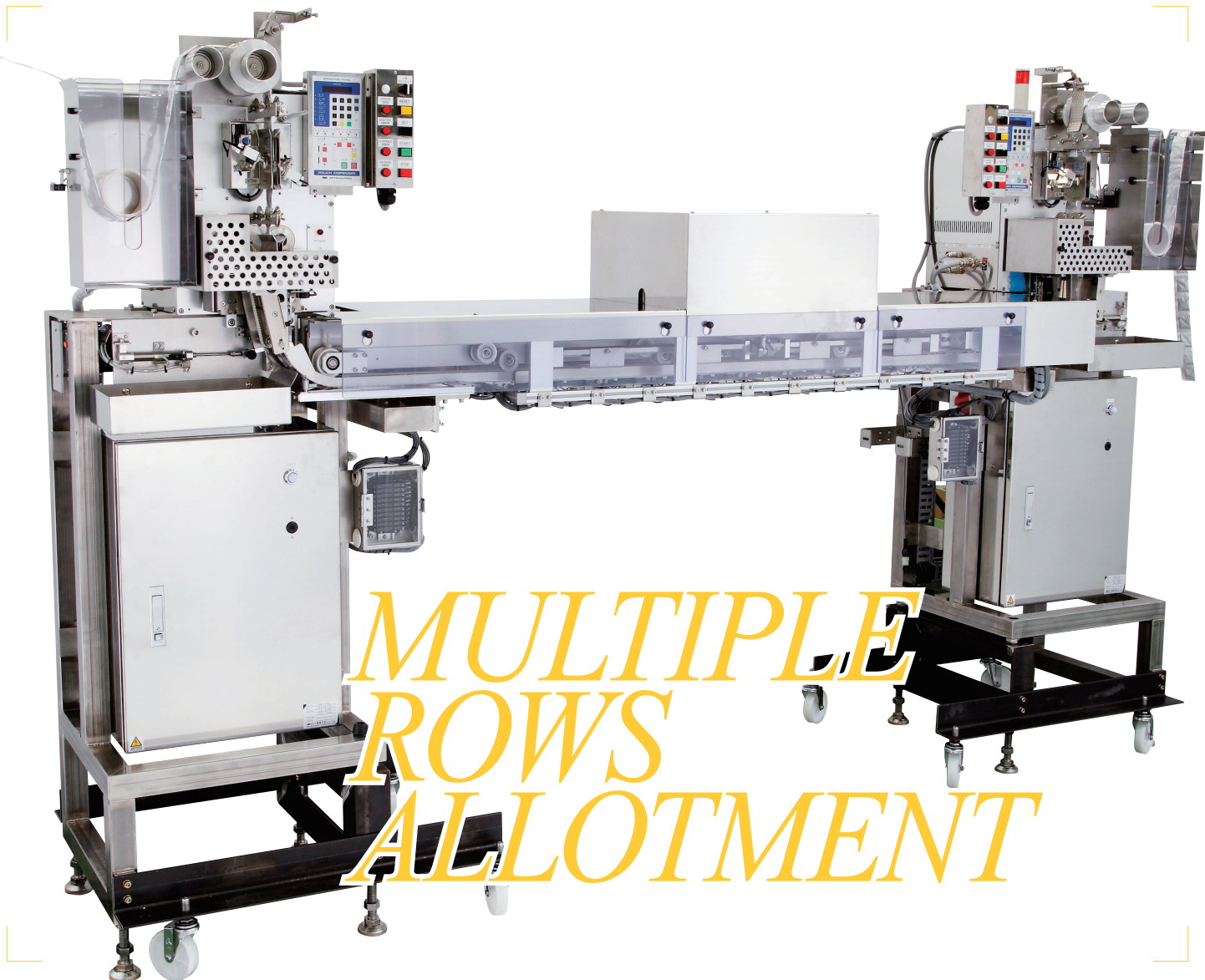


SMF ALLOTING MACHINE



General

This system is designed to distribute & dispense individual powder and/or liquid sachets into multiple numbers of containers in one shot. The system is to be used together with our Pouch Dispenser KD-Series.

Features

- Compact design enables to allot & dispense multiple rows by using one (1) set of our Pouch Dispenser
- Wide varieties of optional functions are available by adopting KD-Series Pouch Dispenser
- Two (2) different sachet types may be dispensed at one shot by using two (2) Pouch Dispensers.
Back-up operation is also possible.

Basic Specs

Below indication is based on combination using our KD-810 Pouch Dispenser.
Various sachet types or line speed may be achieved by selecting different Pouch Dispensers.

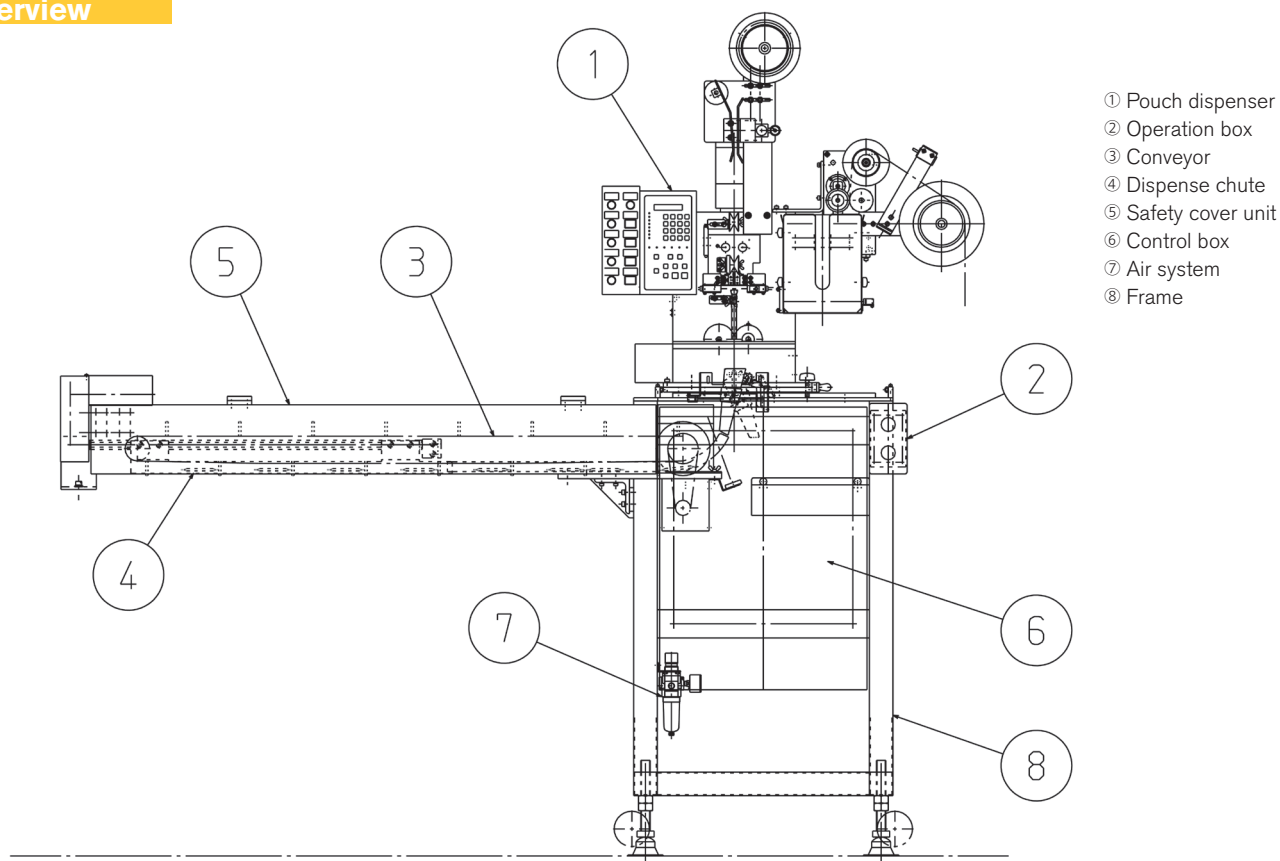
Dispense Capacity	Max. 30 shots / minute (4 rows), 25 shots / minute (6 rows) * Note 1
Card Size	Width: 50 – 100mm Length: 50 – 100mm Thickness: Max. 30mm
Power	AC200/220V, 50/60Hz, 3 Phase, 1.5kVA * Note 2
Air Utility	0.5MPa 10 ℓ /min. (ANR) * Dry air
Weight	Approx. 150kg (including pouch dispenser)

* Note 1: Capacity is determined by sachet size, container pitch, row quantity

* Note 2: Required utilities and net weight is subject to change based on optional functions

* Note 3: This products is custom made.

Overview



- ① Pouch dispenser
- ② Operation box
- ③ Conveyor
- ④ Dispense chute
- ⑤ Safety cover unit
- ⑥ Control box
- ⑦ Air system
- ⑧ Frame

株式会社 三橋製作所 MITSUHASHI CORPORATION

www.mitsubishi-corp.co.jp
info@mitsubishi-corp.co.jp

- Head Office/
Factory

1 Sekizan-cho Yamanouchi Ukyo-ku Kyoto
615-0082 Japan
TEL:+81-75-316-3300 FAX:+81-75-313-7595
- Tokyo Office/
Overseas Sales Division

Yoshikuni Komagata Bldg. 9F 2-4-11 Komagata
Taitoh-ku Tokyo 111-0043 Japan
TEL:+81-3-3847-9751 FAX:+81-3-3847-9753
- Kyushu Office

Minamikindai Building 6F, 4-2-10 Hakataekiminami
Hakata-ku Fukuoka 812-0016 Japan
TEL:+81-92-476-3800 FAX:+81-92-476-3801